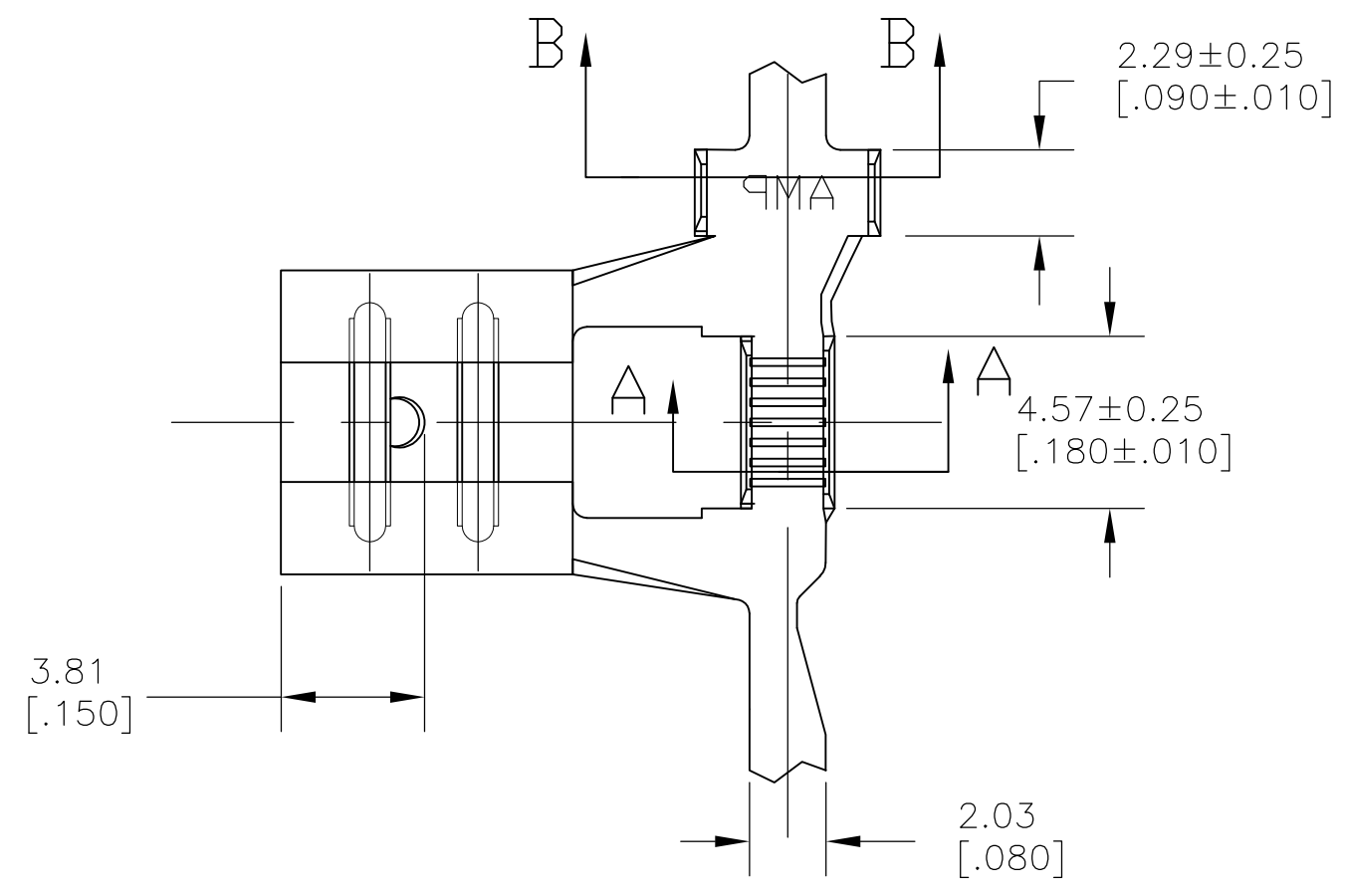
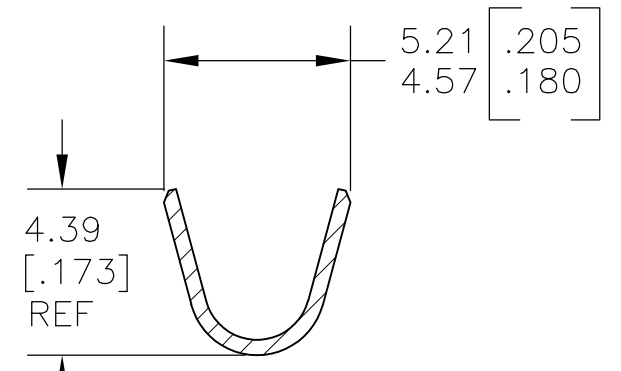
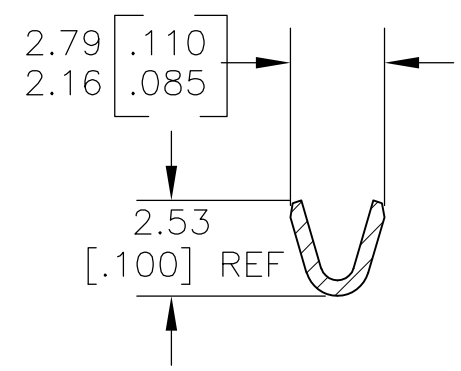
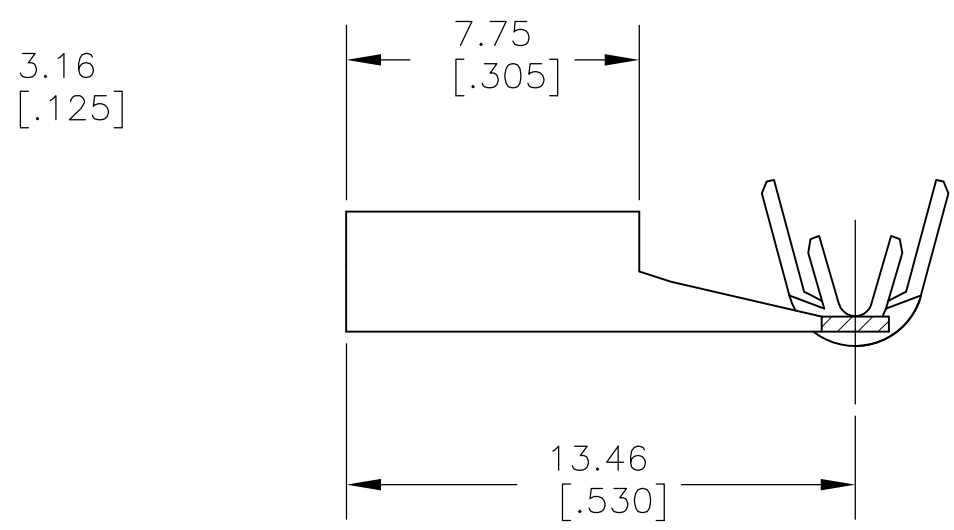
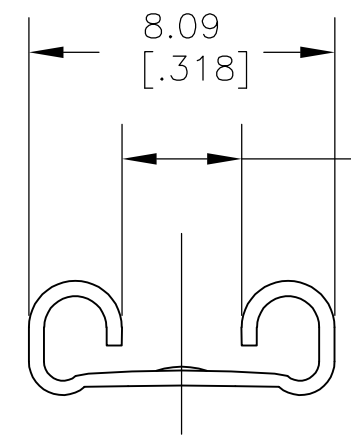


THIS DRAWING IS UNPUBLISHED. RELEASED FOR PUBLICATION  
 © COPYRIGHT - By - ALL RIGHTS RESERVED.

LOC	DIST	REVISIONS				
P	LTR	DESCRIPTION	DATE	DWN	APVD	
AF	50	A1	RELEASED PER ECO 11-018653	13SEP11	JR	PD



- 1 CONTINUOUS STRIP ON REELS
- 2 WIRE SIZE IS 500-1900 CMA, 0.6-1.1mm DIA., SINGLE WIRE CRIMP WIDTH IS 1.78 [0.070], F TYPE
- 3 INSULATION RANGE 2.54-3.05 [0.100-.120] DIA. CRIMP WIDTH IS 3.56 [0.140], OVERLAP TYPE
- △ 4 0.002032 [0.00080] MIN TIN PLATE
- 5 MATING TAB THK IS 0.81±0.025 [0.032±.001].



1742881-1  
PART NO

THIS DRAWING IS A CONTROLLED DOCUMENT.		DWN jr_ruth 08DEC10	TE Connectivity				
DIMENSIONS: MM [ INCHES ]		CHK PETE DESANTIS 08DEC10					
TOLERANCES UNLESS OTHERWISE SPECIFIED:		APVD PETE DESANTIS 08DEC10	NAME				
0 PLC ± - 1 PLC ± - 2 PLC ± 0.25 [.010] 3 PLC ± - 4 PLC ± - ANGLES ± 5°		PRODUCT SPEC	RECEPTACLE, FASTON, FLAG, AMPLIVAR, 6.35 [.250] SERIES				
MATERIAL 4M BRASS		FINISH △ 4	APPLICATION SPEC	SIZE	CAGE CODE	DRAWING NO	RESTRICTED TO
				A3	00779	C-1742881	
CUSTOMER DRAWING			SCALE	SHEET	REV		
			5:1	1 OF 1	A1		